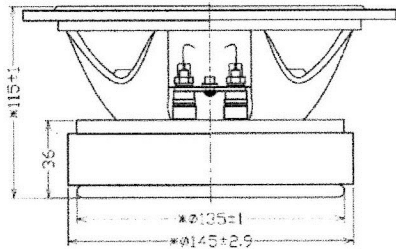
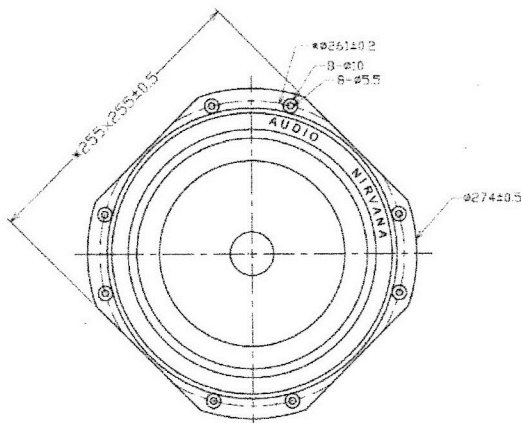


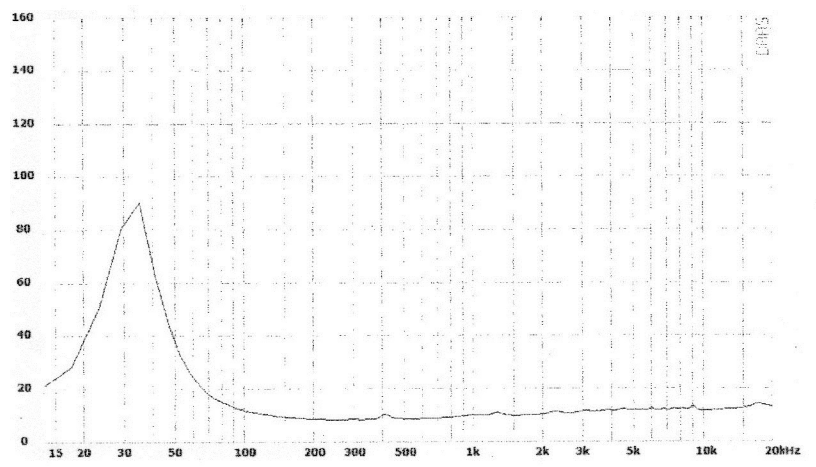
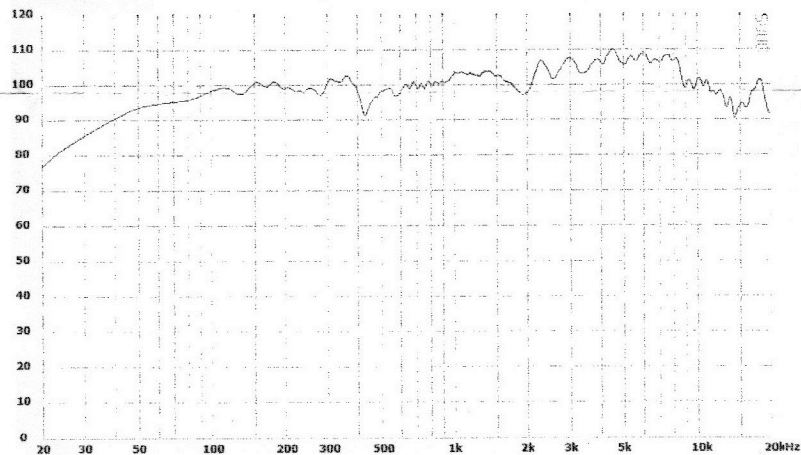
Full Range Speaker Unit

Audio Nirvana Classic 10" Cast Frame



Specifications & Thiele/Small Parameters

Impedance	: 8 Ohm
Minimum Frequency Response	: 33 Hz
Reproduction Frequency Response	: Fo~20K
S.P.L.	: 96.1dB/W(m)
Rated Input	: 30W
Music Power	: 45 W
Equivalent Diaphragm Radius	: 107mm
Equivalent Mass	: 15.2 g
Magnet Weight	: 1400 g
Net Weight	: 4150 g
Fs	: 33.1 Hz
Re	: 7.2 Ohm
Mms	: 19.9 g
BL	: 11.0TM
Qts	: 0.23
Qms	: 4.52
Qes	: 0.25
Vas	: 180.6 Ltr
Xmax	: 1.0 mm
no	: 2.56%
Frame	: Cast
Cone	: PAPER
Surround	: FABRIC
Damper	: CONEX
VC DIA	: Φ35 KSV 0.21 CCAW
Magnet	: Φ145*Φ50*20 Y30
Short Ring	: Cu Cap
Center Cap	: Coating Fabric Dust Cap



Material